

MINI PERMANENT MAGNET D. C. LOW VOLTAGE MOTORS (R, CT, K, AB & DH SERIES)

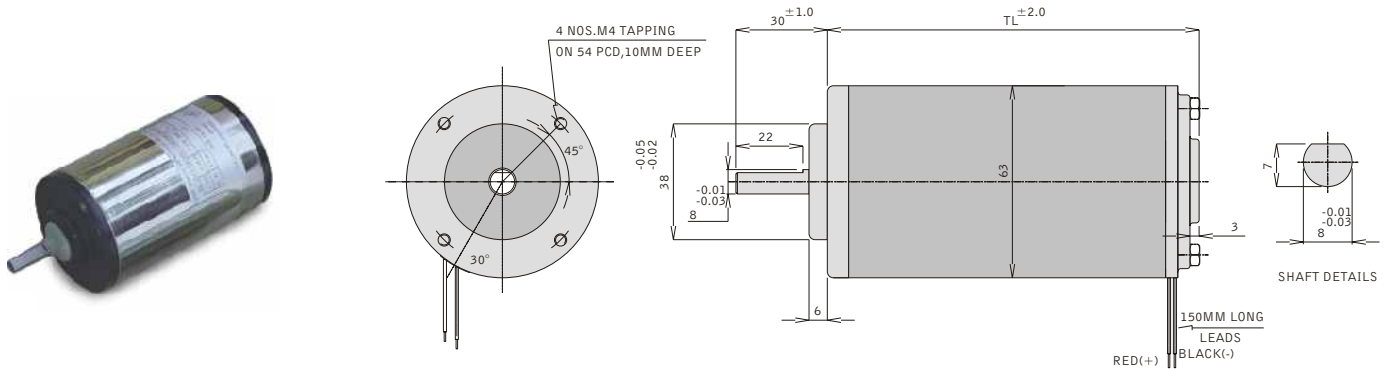


PM2

ROTOMAG offers Permanent Magnet D.C. motors specially designed for Instrumentation, Electric Vehicles and other Battery Operated/ Low voltage Applications. The construction is Totally Enclosed Non-ventilated with IP-44 protection and class F insulation. Brushes last almost till the motor operating life and hence are not externally replaceable in R, CT & DH series. In K & AB series motors users can easily replace the carbon brushes.

These motors are compact, have low noise and are ideal for use in Motion Control, Mobile HVAC systems, Electric bicycles, Tricycles, Toy cars, Go-carts, Beach vehicles, Motorized caddies and Cleaning equipment. Other applications are Domestic appliances, Fountains, Valves, Water pumps, Booster pumps.

R-SERIES

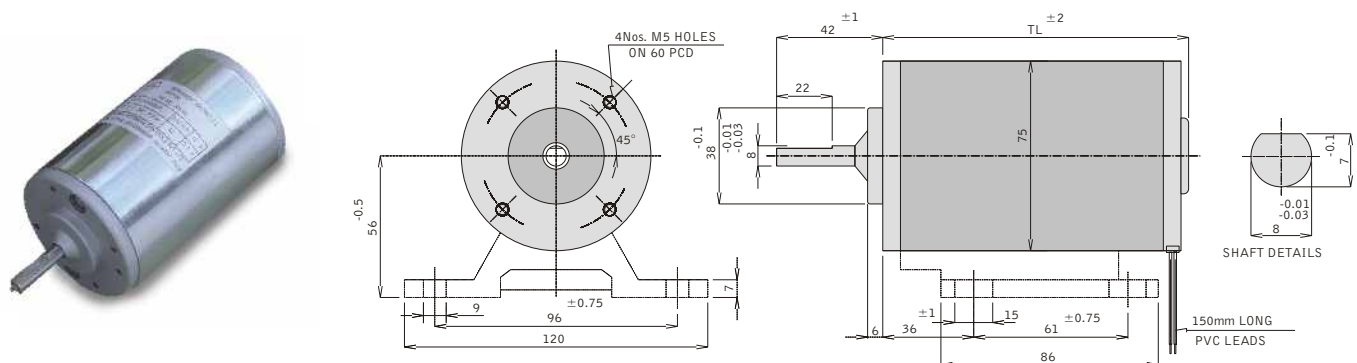


SPECIFICATIONS

H.P./Watts	Frame Size	Volts		Current (Amps)		TL	Torque (Kg.cm)	Mounting	Type	Ins. Class	Protection	Duty	Weight (kg)
		V1	V2	I1	I2								
1500 RPM MOTORS													
0.02/15	R0	12	24	1.5	0.8	88	1.0	Face	TENV	F	IP-44	S1	1.0
0.04/30	R1	12	24	3.3	1.6	122	2.0	Foot/Face	TENV	F	IP-44	S1	1.4
0.06/50	R2	12	24	5.2	2.6	152	3.0	Foot/Face	TENV	F	IP-44	S1	1.9
3000 RPM MOTORS													
0.04/30	R0	12	24	3.3	1.6	88	1.0	Face	TENV	F	IP-44	S1	1.0
0.08/60	R1	12	24	6.0	3.0	122	2.0	Foot/Face	TENV	F	IP-44	S1	1.4
0.13/100	R2	12	24	10.4	5.2	152	3.0	Foot/Face	TENV	F	IP-44	S1	1.9

Base plate available only on request. Also available in 36 & 48 Volts.

CT-Series

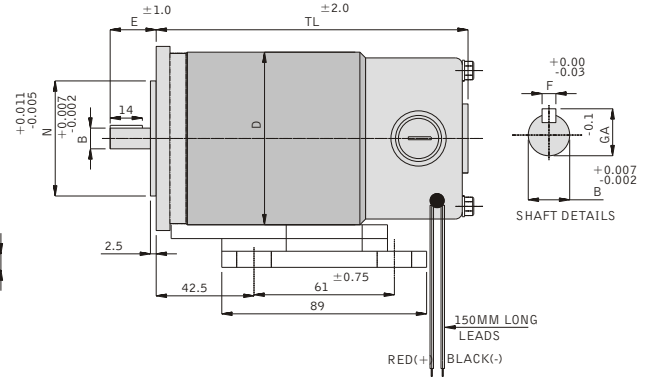
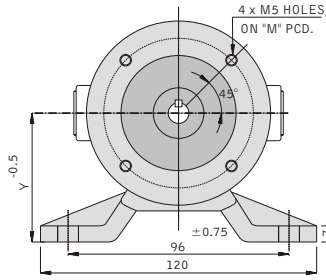


SPECIFICATIONS

H.P./Watts	Frame Size	Volts		Current (Amps)		TL	Torque (Kg.cm)	Mounting	Type	Ins. Class	Protection	Duty	Weight (kg)
		V1	V2	I1	I2								
1500 RPM MOTORS													
0.05 / 40	CT-1	12	24	4.5	2.2	121	2.5	Foot/Face	TENV	F	IP-44	S1	1.7
0.08 / 60	CT-2	12	24	6.5	3.5	151	4.0	Foot/Face	TENV	F	IP-44	S1	2.2
3000 RPM MOTORS													
0.1 / 80	CT-1	12	24	9.0	4.5	121	2.5	Foot/Face	TENV	F	IP-44	S1	1.7
0.16/120	CT-2	12	24	13.0	7.0	151	4.0	Foot/Face	TENV	F	IP-44	S1	2.2

*Base plate available only on request. Also available in 36 & 48 Volts

AB & K - SERIES

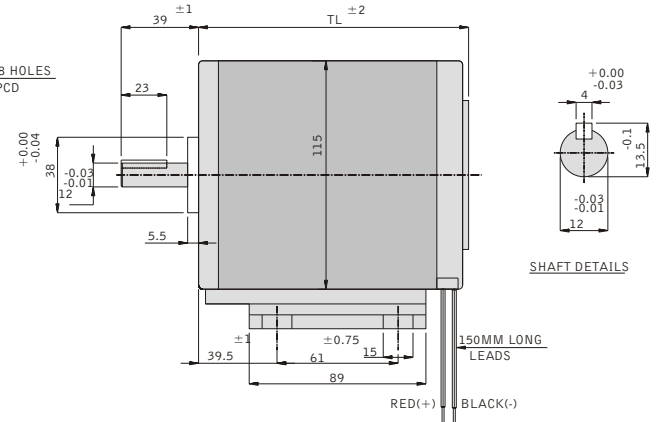
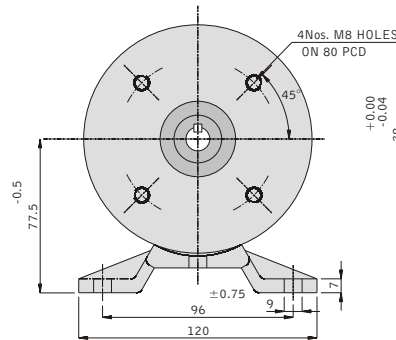


SPECIFICATIONS

H.P./Watts	Frame Size	Volts				Current (Amps)				Torque (Kg.cm)	Protection	Duty	Dimensional Details								Wt (kg)	
		V1	V2	V3	V4	I1	I2	I3	I4				ΦB	D	E	F	GA	M	N	Y		TL
1500 RPM MOTORS																						
0.04/30	K1	12	24	-	-	3.0	1.5	-	-	2.0	IP44	S1	9	75	20	3	10.2	65	50	-	98	1.6
0.08/60	K2	12	24	-	-	6.5	3.0	0.8	-	4.0	IP44	S1	9	75	20	3	10.2	65	50	56	136	2.8
0.10/75	AB-1	12	24	90	-	8.0	4.0	1.0	0.5	4.5	IP44	S1	11	88.5	23	4	12.5	75	60	62.5	143	3.2
0.16/120	AB-2	12	24	90	180	11.5	5.5	1.5	0.8	7.0	IP44	S1	11	92	23	4	12.5	75	60	64.5	161	5.2
3000 RPM MOTORS																						
0.08/60	K1	12	24	-	-	6.5	3.0	0.8	-	2.0	IP44	S1	9	75	20	3	10.2	65	50	-	98	1.6
0.20/150	K2	12	24	90	-	15.5	8.0	2.0	1.0	4.5	IP44	S1	9	75	20	3	10.2	65	50	56	136	2.8
0.16/120	AB-1	12	24	90	180	11.5	5.5	1.5	0.8	3.5	IP44	S1	11	88.5	23	4	12.5	75	60	62.5	143	3.2
0.25/180	AB-2	12	24	90	180	19.5	10	2.5	1.5	6.0	IP44	S1	11	92	23	4	12.5	75	60	64.5	161	5.2

*Base plate available only on request. Also available in 36 & 48 Volts.

DH SERIES



SPECIFICATIONS

H.P./Watts	Frame Size	Volts		Current (Amps)		TL	Torque (Kg.cm)	Mounting	Type	Ins. Class	Protection	Duty	Weight (kg)
		V1	V2	I1	I2								
1500 RPM MOTORS													
0.12/90	DH-2	12	24	10.0	5.0	116	6	Foot/Face	TENV	F	IP-44	S1	3.4
0.16/120	DH-3	12	24	14.0	7.0	136	8	Foot/Face	TENV	F	IP-44	S1	4.3
0.34/250	DH-4	12	24	26.0	13.0	156	16	Foot/Face	TENV	F	IP-44	S1	5.8
3000 RPM MOTORS													
0.25/185	DH-2	12	24	20.0	10.0	116	6	Foot/Face	TENV	F	IP-44	S1	3.4
0.34/250	DH-3	12	24	28.0	13.0	136	8	Foot/Face	TENV	F	IP-44	S1	4.3
0.54/400	DH-4	12	24	42.0	21.0	156	13	Foot/Face	TENV	F	IP-44	S1	5.8

*Base plate available only on request.

While ordering please specify H.P., Frame size, Voltage, RPM, Duty Cycle, Type of mounting.
(Designs being continuously improved, please re-confirm specifications & dimensions prior to ordering)

All ROTOMAG motors have Ball Bearings with high temperature grease, Trickle/Vacuum impregnation, Silver Bearing copper commutators, class B/F/H insulation, Dynamically balanced Rotors, Hot staked / Brazed / TIG Welded commutator joints, Over sized Brushes and Superior Aesthetics.

Rotomag Motors & Controls Pvt. Ltd.

7/C, Vitthal Udyognagar, Near Anand, Gujarat 388121, INDIA.

Tel: +91 - 2692 - 236005 / 236409; Fax: +91 - 2692 - 235209; E-mail: sales@rotomag.com; www.rotomag.com